



COMMON ISSUES REQUIRING INTERVENTION

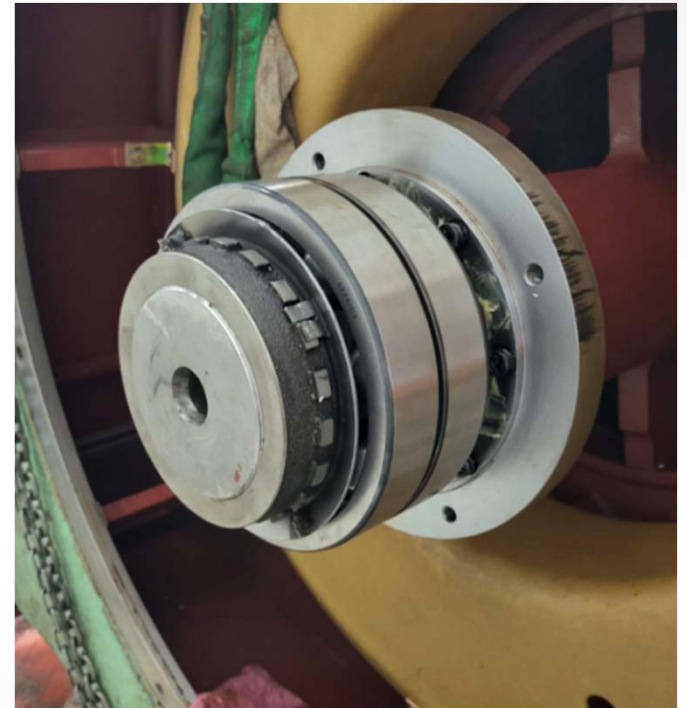
3381 NW 168th Street
Miami Gardens, FL 33056
USA

TEL: +1 305 592 3473
INFO@RCG-USA.COM
SPARES@RCG-USA.COM

Thrusters, Example of issues:

Brand of motors we worked on: ABB, Ansaldo (NIDEC) , Scorch

Bearing damage:



Thrusters, Example of issues:

Rotor damage: rotors bars braking, making unbalance in the machine and strong vibrations

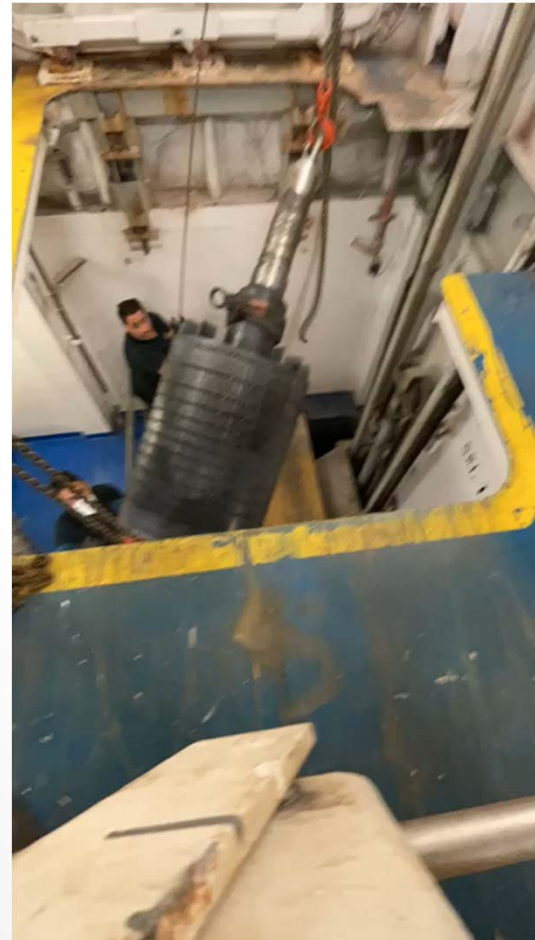


Thrusters, Example of issues:

Stator damage:
Stator winding turning in its casing:
- If it is still taken on time, a reinforcement can be made.
- If stator gets out of its fittings, major repair is needed.



Thrusters repairs:



6/14/2016

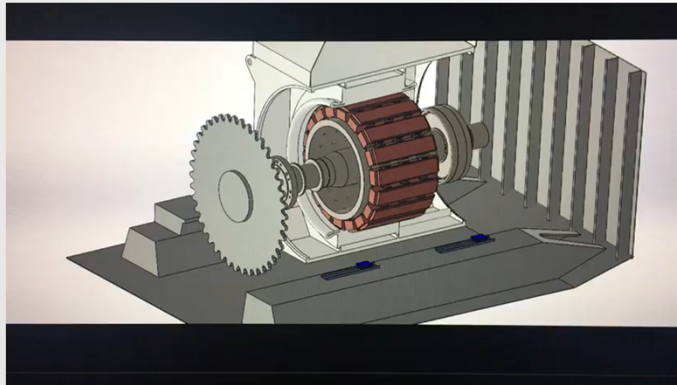
15

Generators, Example of issues:

Brand of generators we worked on: ABB, Ansaldo (NIDEC) , Leroy somer, VEM, ABB, Alstom, AEG, Siemens

Stator damage:

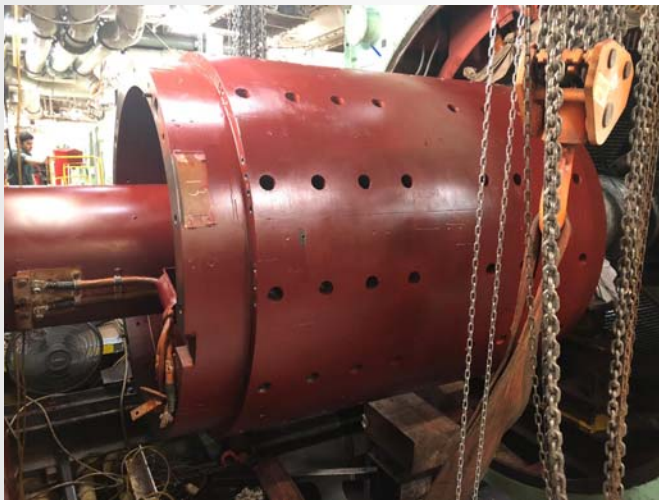
Partial discharge, impact from external element, water leak...



Generators, Example of issues:

Pole damage:

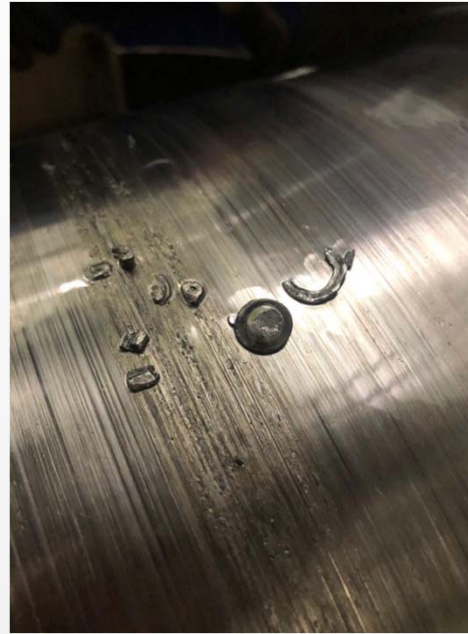
V blocks bolts failing, Pole to pole connections, poles expanding...



Generators, Example of issues:

Sleeve bearing damage:

Wear, dirty oil, jacking hose failure, non return valve...

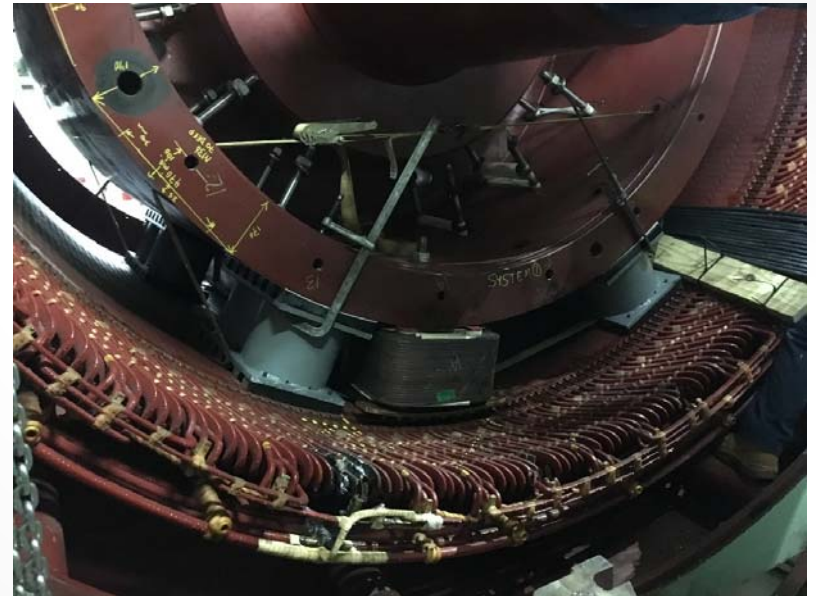


PEM, Example of issues:

Brand of motors we worked on: LDW, Alstom, GE, Siemens

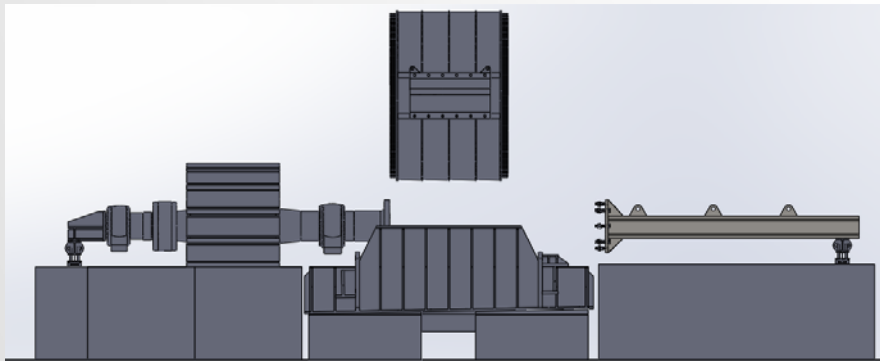
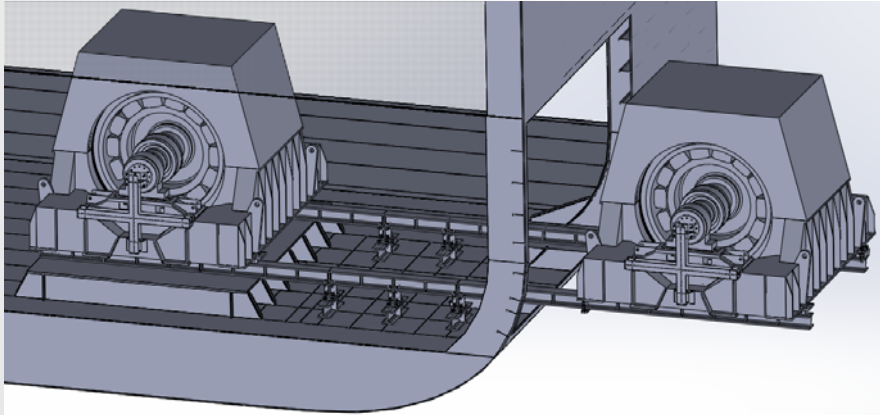
Stator damage:

Magnetic wedges, partial discharge, impact from external element



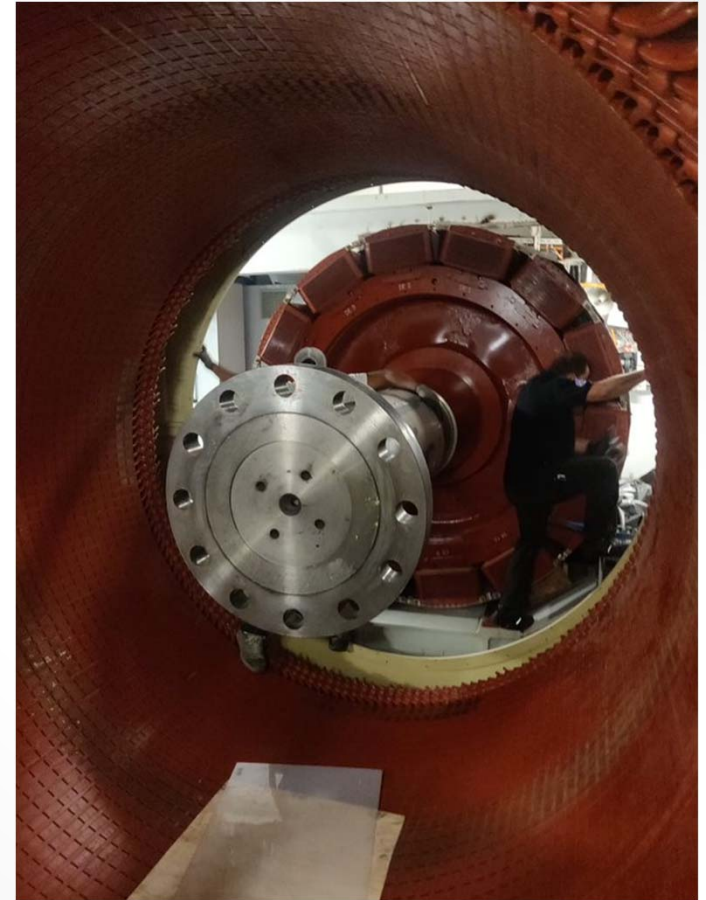
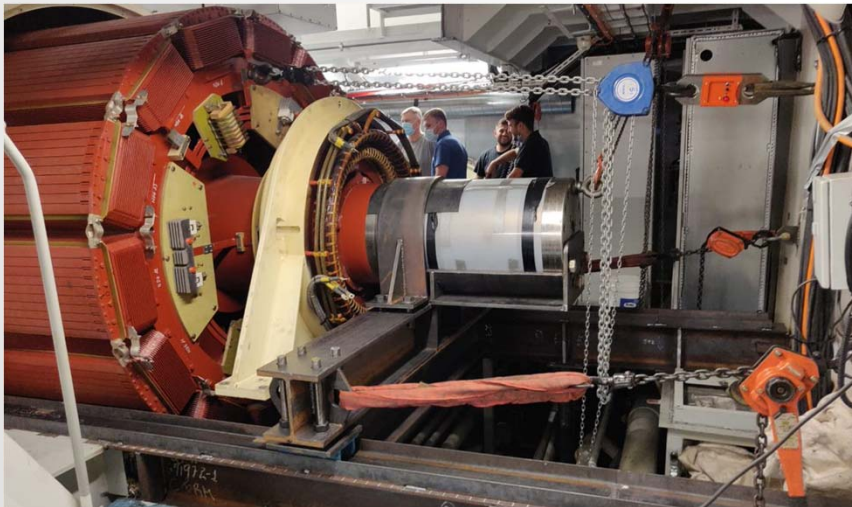
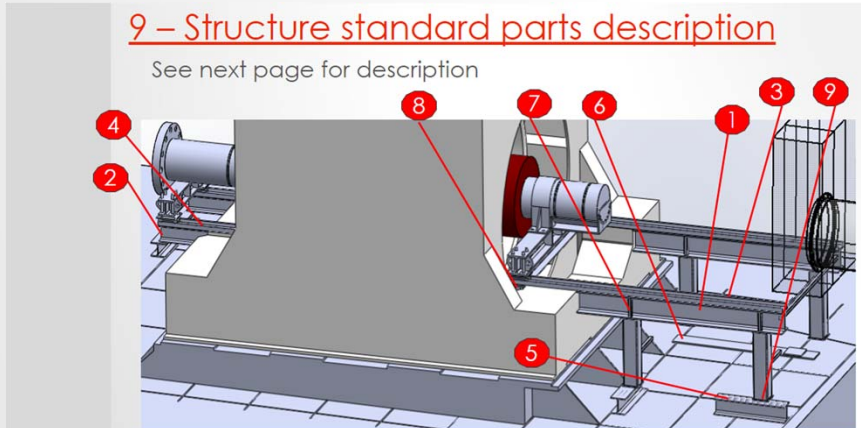
PEM, Example of issues:

Stator damage:

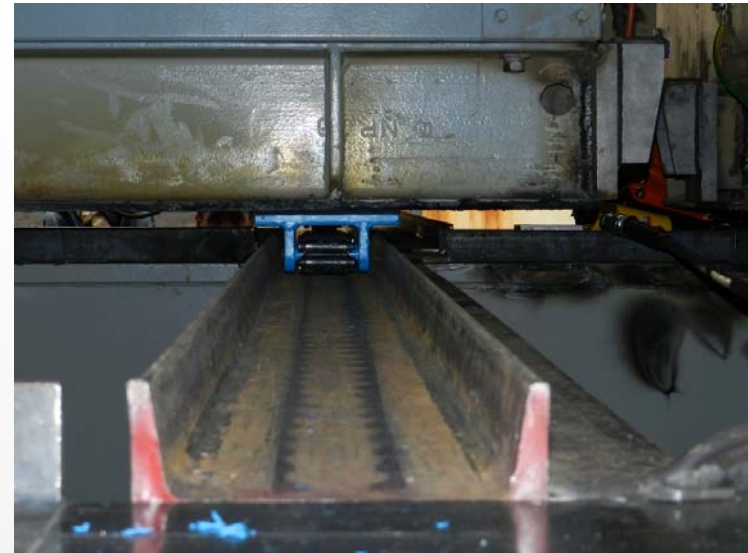


PEM, Example of issues:

Stator damage:



Transformer replacement



Oil Transformers

Recurring issues:

- Tap changer, gaskets, bushings leaks...

